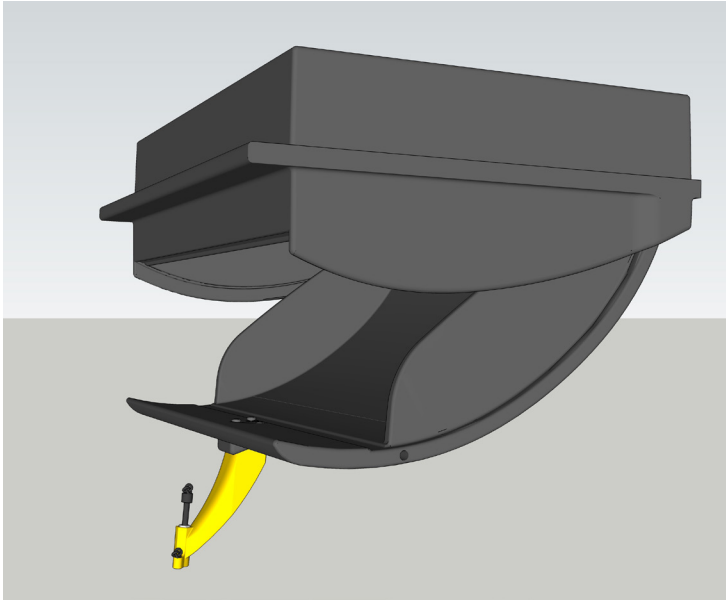




TULDERHOF

ventilation & welfare

BLC4000



Aerodynamic flow

Excellent finetuning

4,000 m³/hour 20 Pa

Air tight when closed

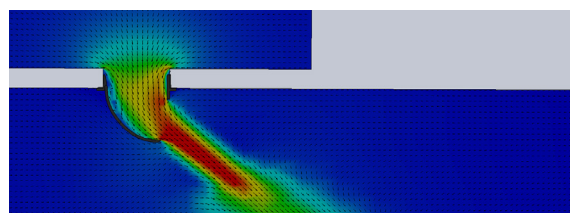
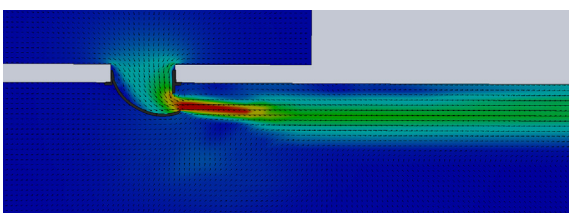
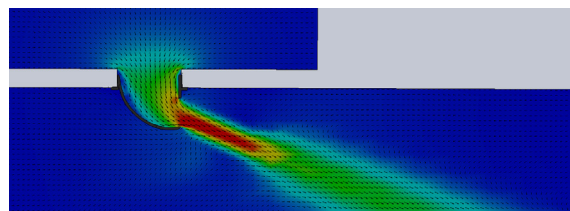
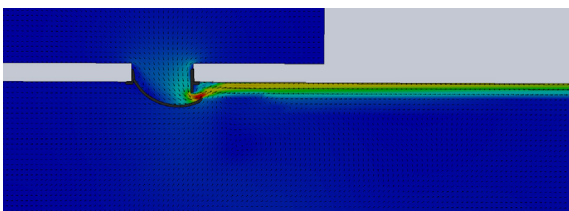
High insulation value

BLC4000 air inlet

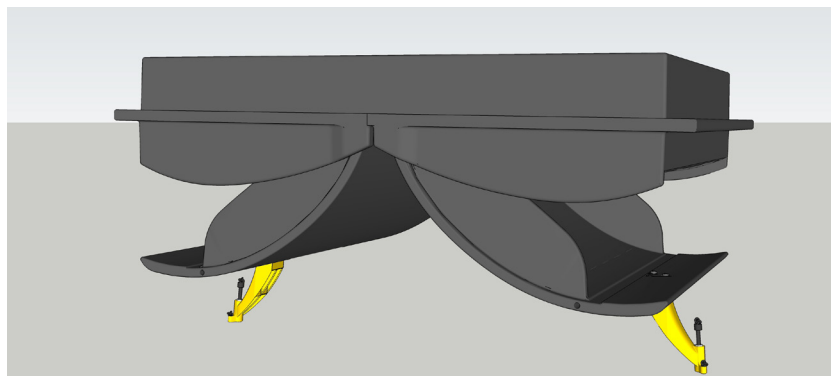
The **Black Line Ceiling 4000 air inlet** is a high capacity ceiling inlet produced from high quality polyurethane foam with a excellent insulation value. The BLC4000 is a self-opening inlet.

The longer valve of the BLC4000 ensures an airflow following the ceiling until a larger opening than most ceiling inlets would, because of the horizontal flow it's the ideal solution to place above cages.

For houses with animals on the floor the BLC4000 can assist in creating a evenly distributed environment throughout the house.

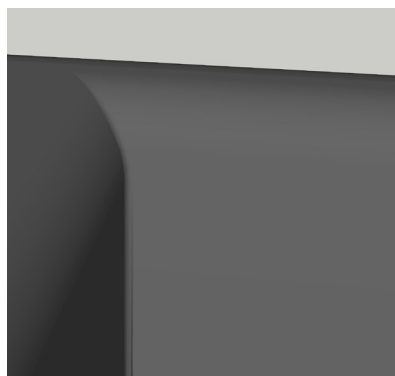


Technical information



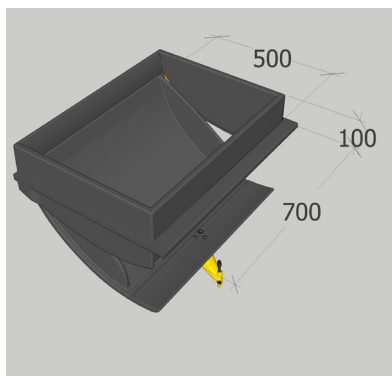
BLC8000D

For houses where the air should be steered both ways it's possible to buy a double inlet the BLC8000D.



Aerodynamics

Round edges give the inlet 8% more airflow



Build in size

Above the build in size in mm

Airflow data	
Type	BLC4000
10 Pa - m ³ /h	2,850
20 Pa - m ³ /h	4,000
30 Pa - m ³ /h	5,000
Surface - cm ²	2,850
Width - mm (X)	700
Height - mm (Z)	500
Depth - mm (Y)	100

Airflow data	
Type	BLC8000D
10 Pa - m ³ /h	5,700
20 Pa - m ³ /h	8,000
30 Pa - m ³ /h	10,000
Surface - cm ²	5,700
Width - mm (X)	700
Height - mm (Z)	1000
Depth - mm (Y)	100

Seals

Seals make the inlet 100% air tight in closed position

Insulation

The BL4000 is made from 20 mm thick polyurethane foam with a density of 190 grams per liter. Therefore the frame and the valve have a high insulation value of 1.41 W/(m².K). The surface is strong and smooth and therefore easy to clean.

- > **U-value** = 1.41 (W/m².K)
- > **R-value** = 0.71 m².K/W