



# TULDERHOF

ventilation

NEW

## BT series - Tunnel inlet

### Black line



Polyurethane foam

Perfect closing

Only 3,2 kg pulling force

Aerodynamic

Also used as side inlet

Excellent finetuning

Winterdoor possible

BT01 - BT02 - BT03 - BT04 - BT05



### Black line

The Black line series are made of black PU-foam.

### BT

BT stands for **Black line Tunnel**, a tunnel inlet made of PU-foam. De BT-01 has a flange of 40 mm around. Leaving upper or bottom flanges aside, the inlets can be mounted on top of each other. Synchronisation of the inlets is easy with the fine tune screw. The BT series can be self opening or self closing. The self closing version has the big advantage of being completely closed even if the inlets are not synchronised. The force needed to open 5 inlets on top of each other is only 16 kg, only 3,2 kg per inlet. Aerodynamic design gives the BT series 8% more air flow.

Tulderhof Ventilation BV • Looyenbeemd 10 • 5652 BH Eindhoven • Netherlands  
Tel. +31 (0) 404 00 63 13 • Fax +32 (0) 14 65 99 60

[WWW.TULDERHOF.COM](http://WWW.TULDERHOF.COM)



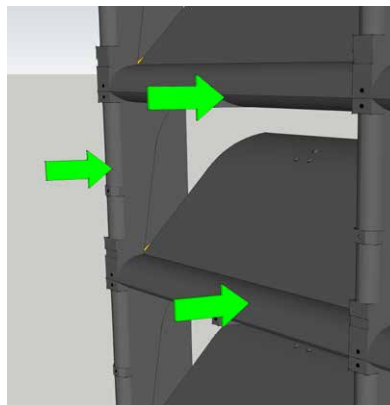
## Technical information

Inlet specifications					
Type	BT-01	BT-02	BT-03	BT-04	BT-05
10 Pa - m <sup>3</sup> /h	4 300	8 600	12 900	17 200	21 500
20 Pa - m <sup>3</sup> /h	6 200	12 400	18 600	24 800	31 000
30 Pa - m <sup>3</sup> /h	7 500	15 000	22 500	30 000	37 500
Force	6 kg	8 kg	11 kg	13 kg	16 kg
Surface - cm <sup>2</sup>	3 100	6 200	9 300	12 400	15 500
Width - mm (X)	1 180	1 180	1 180	1 180	1 180
Height - mm (Y)	355	710	1 065	1 420	1 775



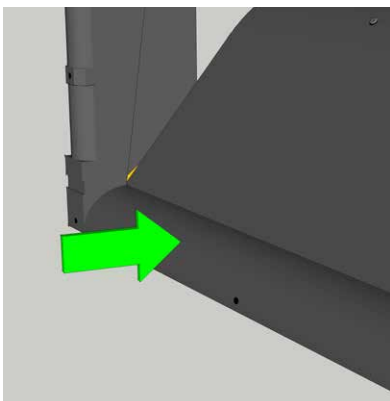
### Fine tuning:

A special screw makes fine tuning easy



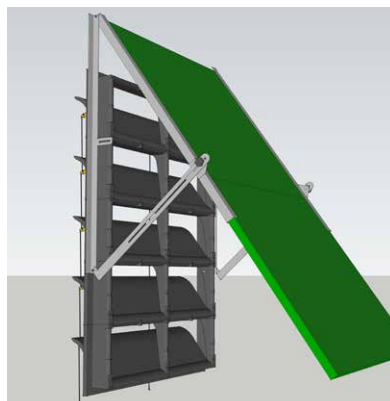
### Aerodynamics:

Round edges gives the inlet 8% more airflow



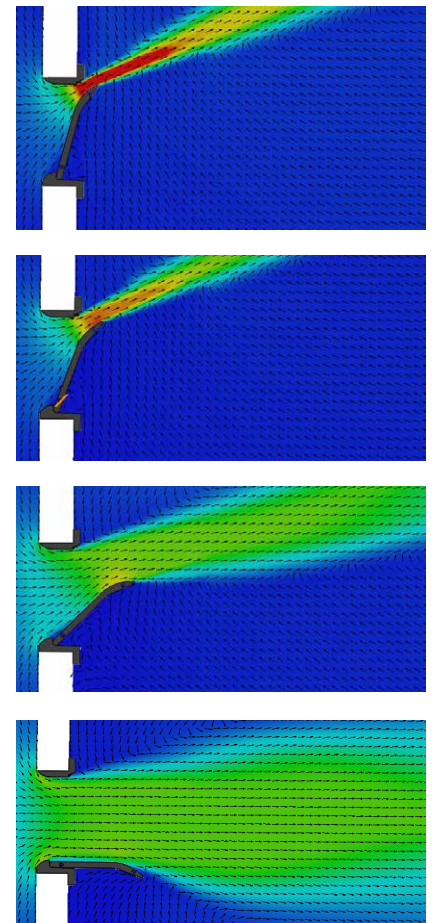
### Water:

Water can't flow inside because of round bottom edge



### Winterdoor:

Extra insulation option with this 40 mm sandwich door



### Wind tunnel:

Airflow of a single BT-01 tunnel inlet