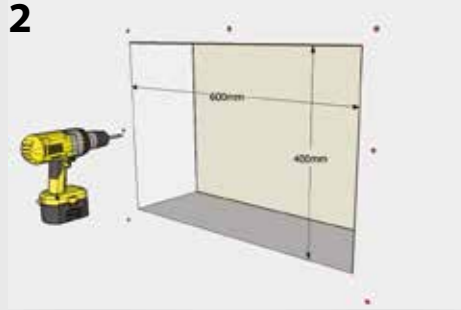




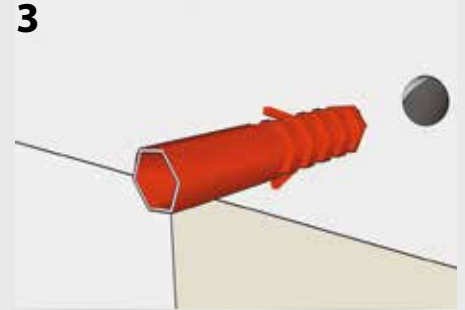
## Mounting cover with light trap



Mounting set



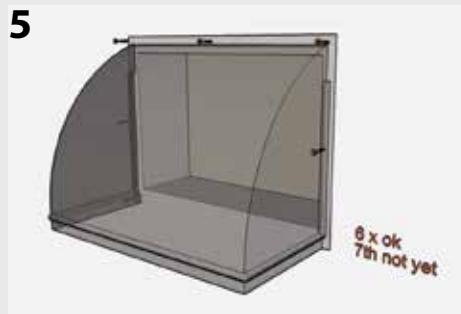
Drill 7 holes



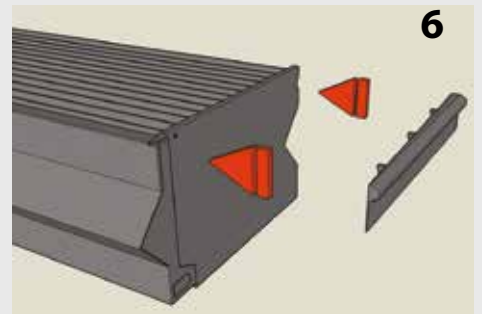
Plug 7x



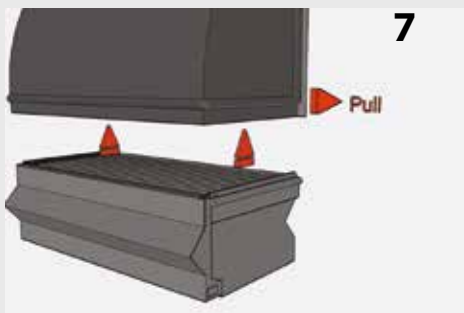
Swelling tape



Place 6 screws



Sidepiece 2x



Place light trap



Screw nr. 7



Result