

BLC4000

Manual

ENG/April 2023



Read the instructions prior to performing any task!

Original document

Tulderhof Ventilation BV
Looyenbeemd 10
5652 BH Eindhoven
The Netherlands
T +31 (0)40 400 63 13
E sales@tulderhof.com
W www.tulderhof.com

Table of contents

1	Introduction.....	4
2	Safety.....	5
	2.1 Introduction to Safety.....	5
	2.2 Personnel Qualification.....	5
	2.3 Safety Notes for the Installation.....	5
	2.4 Safety Notes for the Operation.....	6
	2.5 Transport and Storage.....	6
	2.6 Maintenance.....	6
3	Mounting Instructions.....	7
4	Technical Specifications.....	11

1 Introduction

The Black line Ceiling 4000 air inlet is a high volume air inlet with a good insulation value. The BLC4000 is a self-opening air inlet. The BLC4000 has an extended valve. This valve directs the air horizontally for longer. Ideal when the air inlet is placed above cages. For houses where air has to be sent from both sides, it is possible to choose the double air inlet valve BLC8000.

BLC4000 benefits

- High insulation value
- Easy adjustment by adjusting screw
- 100% closed flap when closed due to draft strips
- 8% more capacity due to the aerodynamic edges

2 Safety

2.1 Introduction to Safety

- First read the Safety guide that you have received with this product before you install or operate this product.
- This manual contains the information required to install, operate and maintain this product. Read the information and instructions thoroughly before use.
- This product is covered by the warranty and liability regulations laid down in documents including the manufacturer's general terms of sale governing the contract concluded for the delivery of this product.

2.2 Personnel Qualification

Installer

Installers are all persons that do these actions with regard to the product:

- Installation
- Maintenance
- Troubleshooting

Each installer must have a profound professional experience and knowledge of:

- Safety regulations.
- Possible dangers during the installation, maintenance and troubleshooting.
- Commissioning of the product.

User

Users are all persons that operate this product. Users are only permitted to operate this product when:

- they have read and understood the instructions in this manual.
- they know the consequences of changes to settings.
- they know the possible dangers of incorrect use of this product.

2.3 Safety Notes for the Installation

- Only professional installers must install the product. The installation is an integral part of the product. The installation must take place according to the prevailing standards (BS, ANSI, DIN, NEN, ISO, for example).
- When the installer installs the product according to the standards and the instructions in this manual, the product is suitable for operation in an industrial environment. Specifically, this product is intended for use in clean, dry environments (Pollution Degree 2).

2.4 Safety Notes for the Operation

Personnel: ■ User

- Only persons who have read and understood the instructions in this manual are permitted to operate this product.
- Persons who operate or adjust this product must know the possible dangers.

2.5 Transport and Storage

- Examine the product for transport damage.
- Examine if the product is what you ordered.
In case of incorrect delivery or damage, please contact your supplier immediately.
- Store the product in a dry and clean environment:
 - Storage temperature: 0 °C ... 40 °C
 - Storage temperature: 32 °F ... 104 °F
 - Storage humidity: 20% ... 80%
- Store the product in such a way that it is protected from:
 - humidity,
 - dust,
 - dirt,
 - direct sunlight,
 - aggressive, chemical substances, and
 - mechanical vibrations.

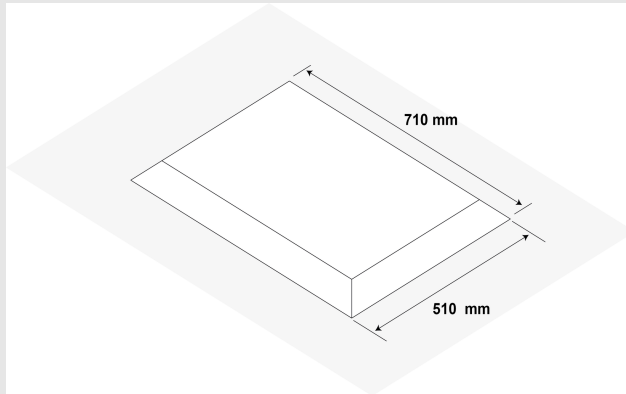
2.6 Maintenance

Cleaning

- Be careful when using a high pressure water cleaner
- Be careful when using aggressive cleaning agents or solvents.

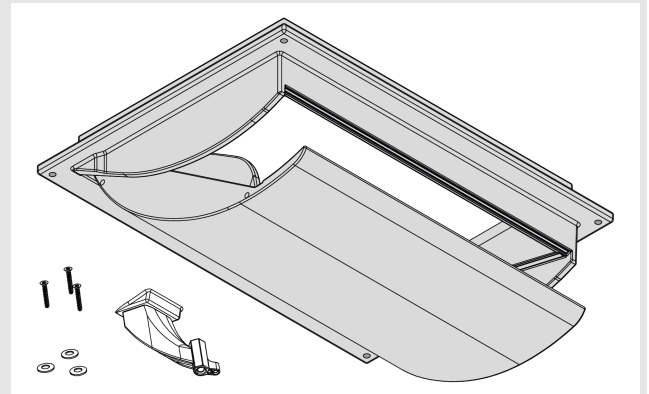
3 Mounting Instructions

1.



- Determine the position of the ceiling inlets
- Make the holes in the ceiling (510 mm x 710 mm)

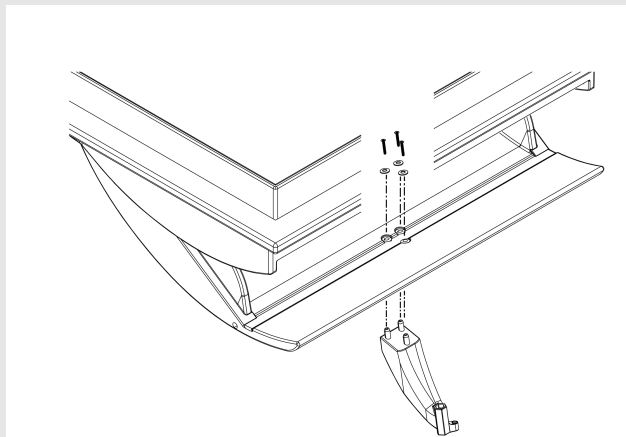
2.



BLC4000 ceiling inlet materials

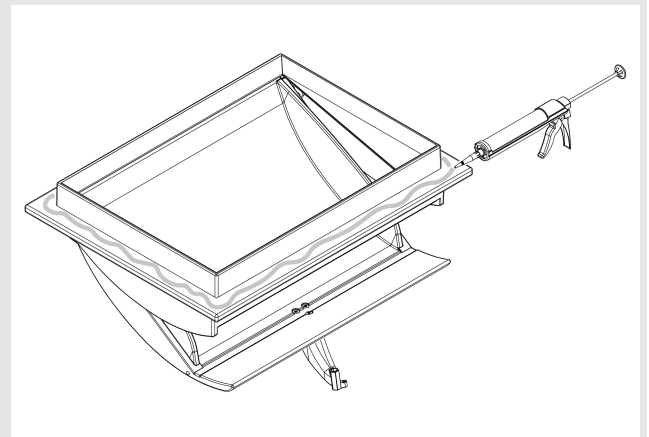
- BLC4000 ceiling inlet
- Arm
- 3 x Stainless roundhead screw (4,5 x 25 mm)
- 3 x Washer (18 x 6,4 x 1,4 mm)

3.



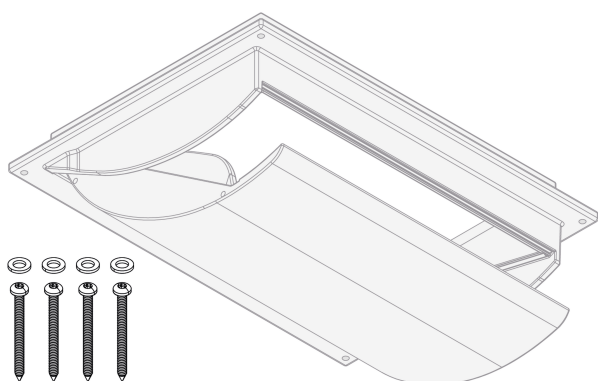
Mount the arm to the ceiling inlet by using the screws and washers

4.

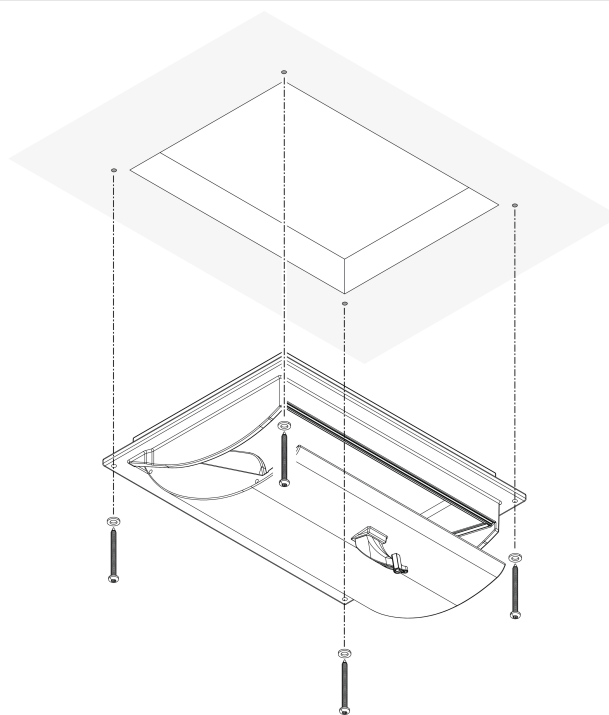


Apply glue to the top side of the flange (glue not included!)

5.



6.



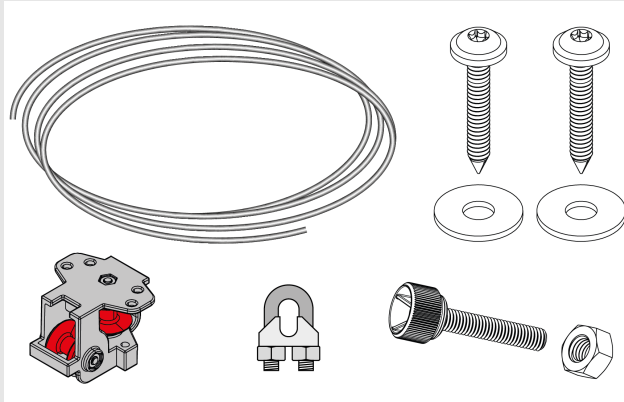
Mounting set

- 4 x Stainless roundhead screw (5 x 60mm)
- 4 x washer 18 x 6,4 x 1,4mm

Mount BLC4000 with 4 screws and washers carefully to the ceiling.

Tightening the screws too much will damage the inlet !!!

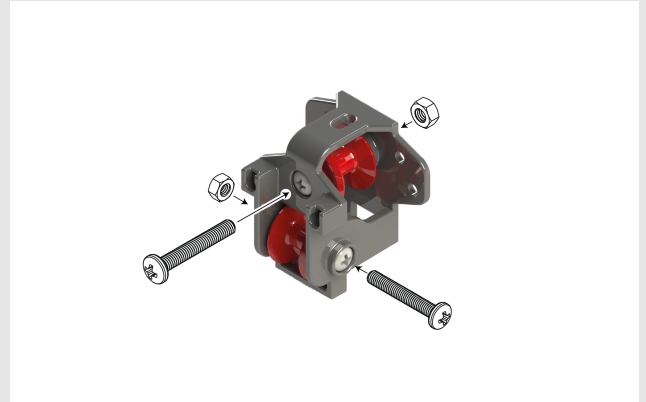
7.



Connection set

- Poly ethylene cord
- Rope guide frame
- Hollow adjustment screw (M8)
- Hex nut (M8)
- Wire clamp
- 2 x Roundhead screws (5 x 60 mm)
- 2 x Washers 18 x 6,4 x 1,4 mm

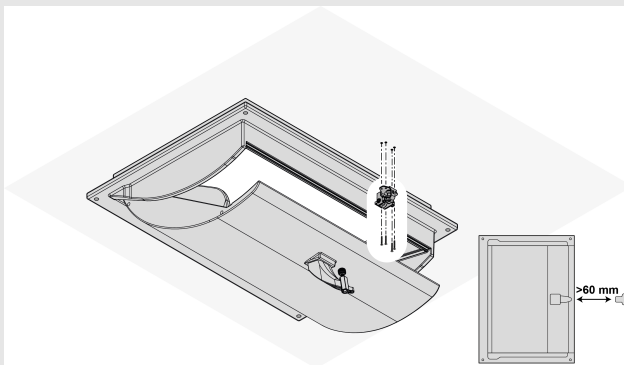
8.



Assemble the rope guide frame

- 1 x rope guide frame
- 2 x rope guide roller
- 2 x Roundhead bolt (M6 x 40 mm)
- 2 x Hex nut (M6)

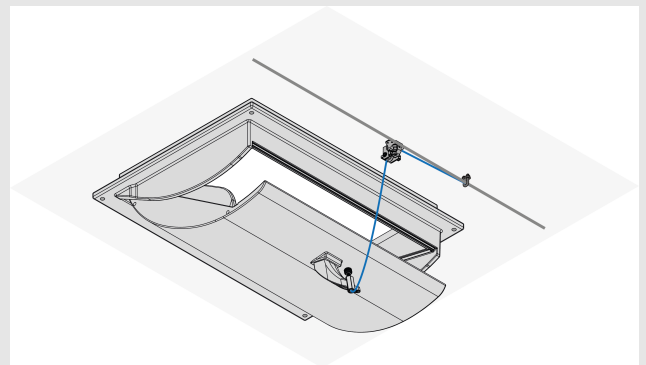
9.



Mount the rope guide on the ceiling by using the stainless roundhead screws (5 x 60 mm)

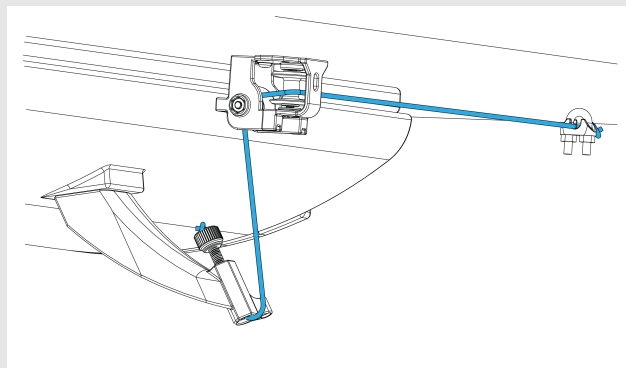
The distance from the flange of the inlet to the rope guide must be at least 60 mm!!!

10.



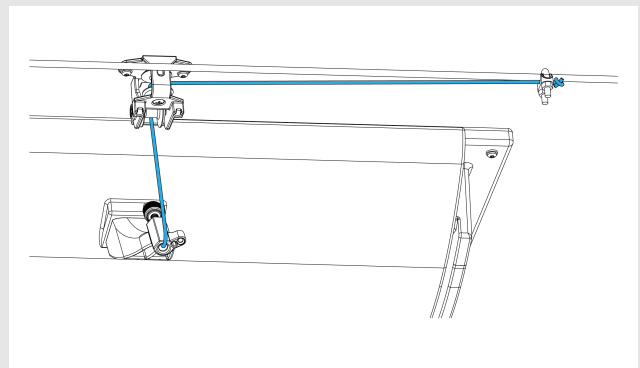
Mount the poly ethylene cord to the arm by using the hollow adjustment screw and the hex nut

11.



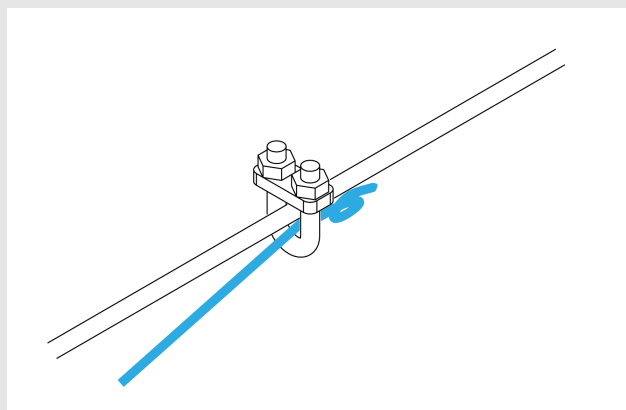
Guide the poly ethylene cord through the arm, rope guide roller and wire clamp

12.



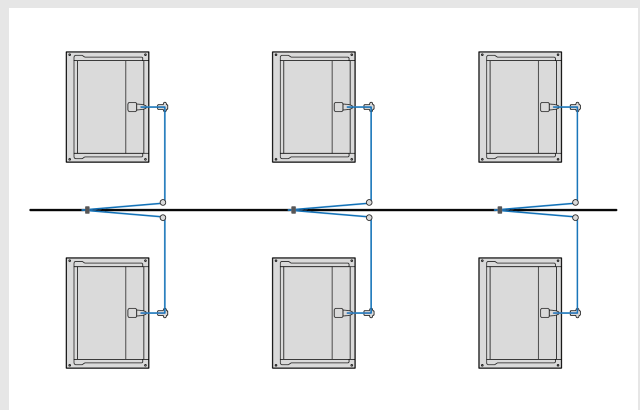
Guide the poly ethylene cord through the arm, rope guide roller and wire clamp

13.



Make a knot and mount the poly ethylene cord to pull rod/ pull cord by using the wire clamp

14.



Example of ceiling inlets perpendicular to pull rod / pull cord (extra pulley per BLC4000 needed, not included!!!)

4 Technical Specifications

Mechanical	
Material	Polyurethane
Weight	5 kg
Inside dimensions	
Width	705 mm
Length	503 mm
Depth	60 mm
Outside dimensions	
Width	803 mm
Length	643 mm
Depth	200 mm
Operation	
Capacity (10 Pa, 20 Pa, 30 Pa)	2850 m ³ /h, 4000 m ³ /h, 5000 m ³ /h
Stroke	535 mm
Force	2 kg